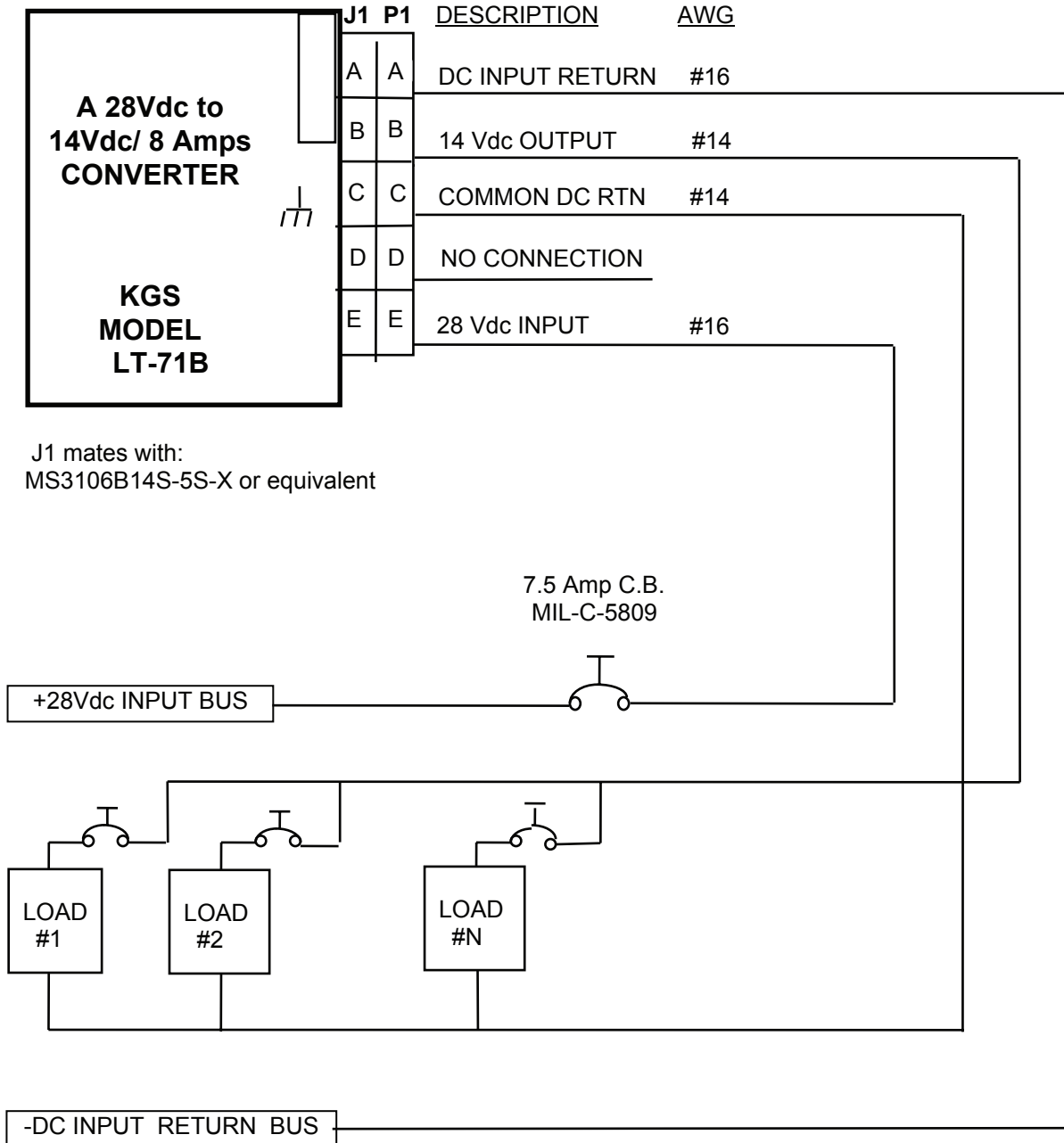


LT-71B

REGULATED 28/14VDC TO DC POWER CONVERTER
FAA TSO-C71

External Wiring



NOTE:

1. Input circuit breaker should be selected based on actual loading & external input wire length/size.

FIGURE 2 SUGGESTED HOOK-UP

