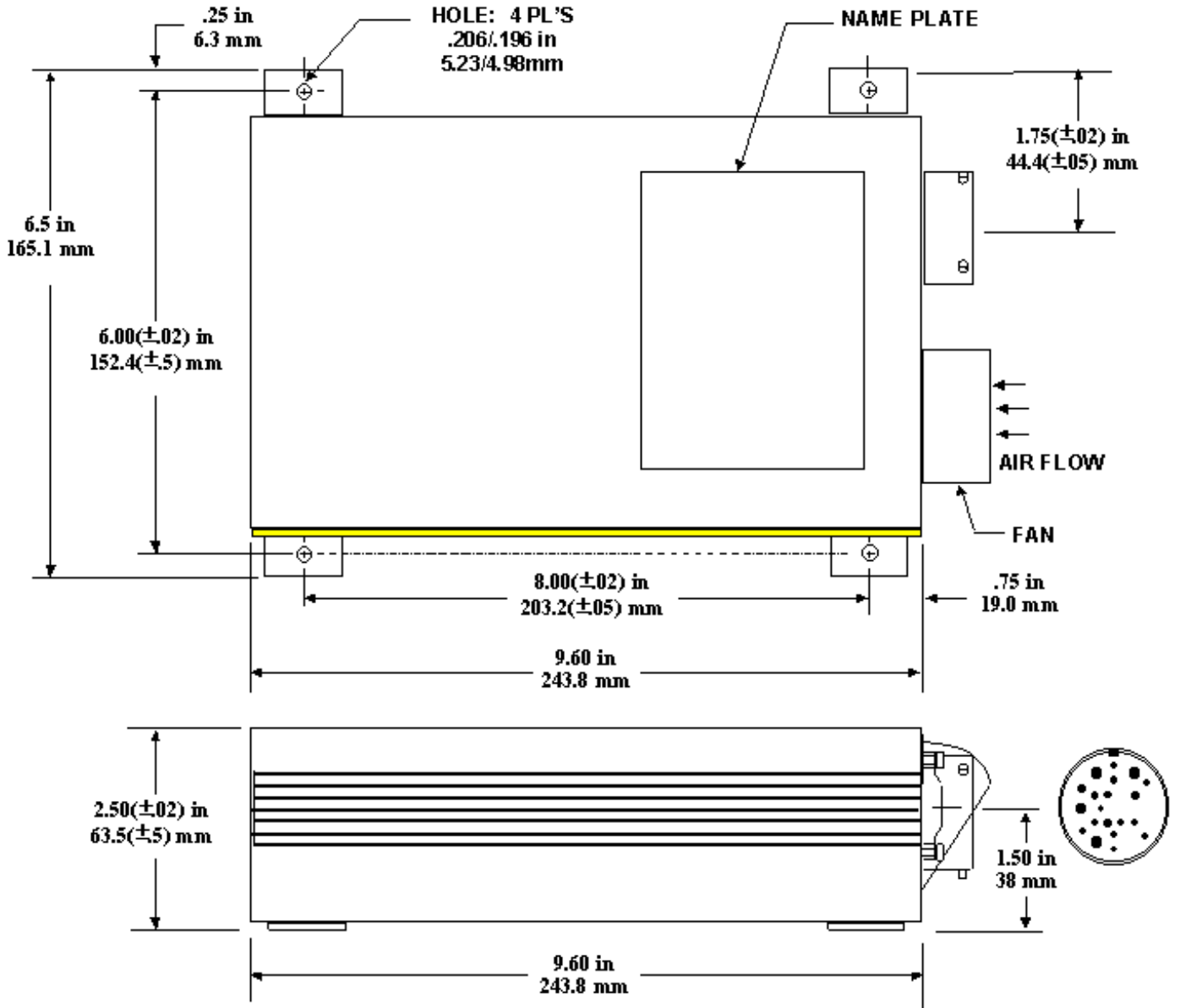


DT30

TSO & MIL Qualified Multi-Channel DC/AC Power Converter
(0-5 Vdc, 0-28 Vdc & 0-115 Vac Three-Channel Dimmer Unit)

Outline Drawing



kgs
electronics

418 East Live Oak Avenue, Arcadia CA 91006-5619 USA ■ Phone: 626-574-1175 ■ Fax: 626-574-0553 ■ info@kgselectronics.com