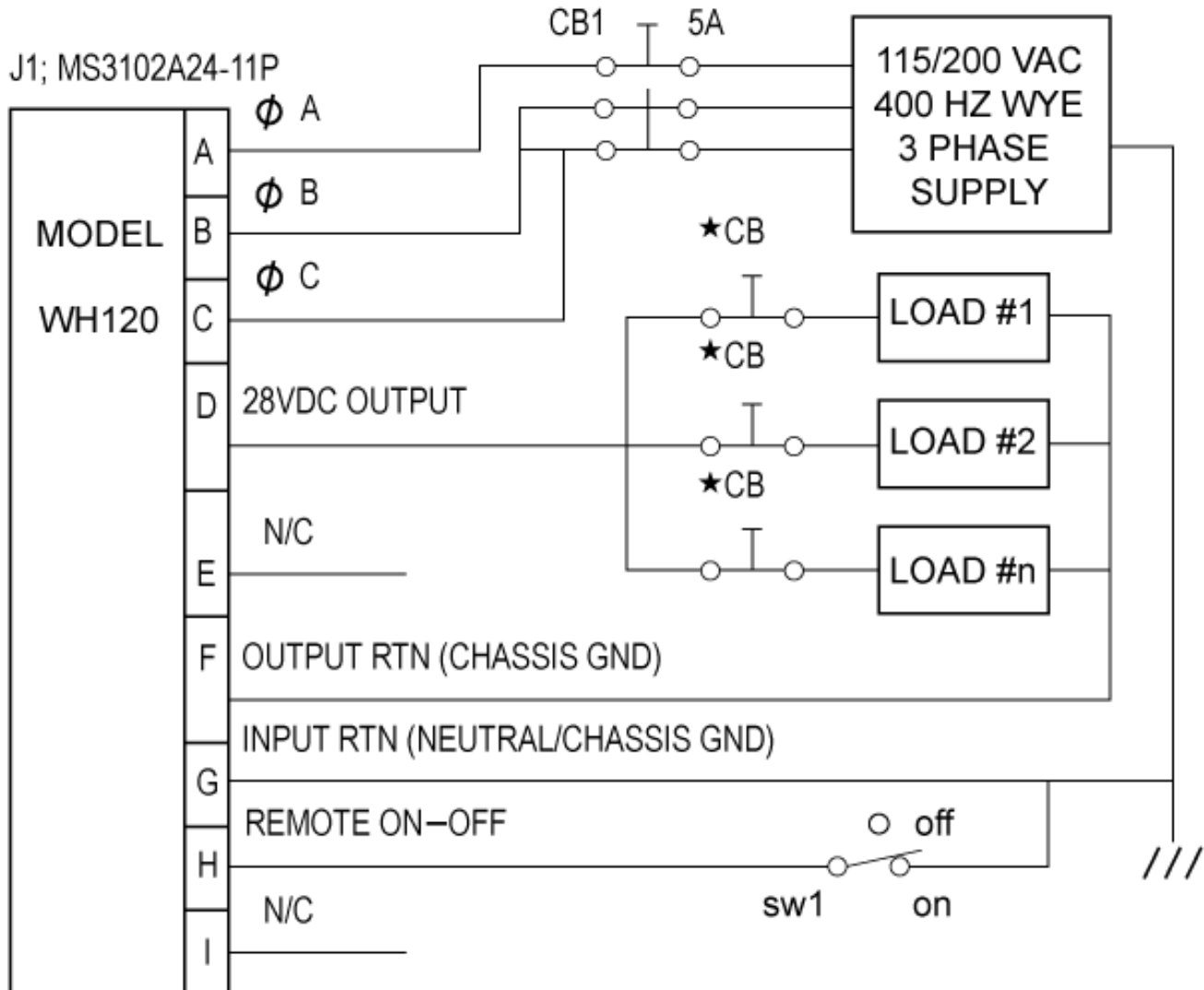


WH120

AC TO DC REGULATED POWER CONVERTER
1200 Watts

External Wiring



Notes:

1. Suggested circuit breakers; CB1; 583-G533-5 AMP by ETA or EQ
2. *CB Rating shall clear in the event of a load short SW1; 1 Amp minimum rated switch.
3. Shielded wires recommended.

kgs

electronics

418 East Live Oak Avenue, Arcadia CA 91006-5619 USA ■ Phone: 626-574-1175 ■ Fax: 626-574-0553 ■ info@kgselectronics.com